

Sink Foster Marine

Bowl on the left

Kitchen Sinks

Code: 1975 962



DETAILS

Edge/Installation Type

Flat Edge

Material

Stainless steel AISI 316

Texture

Foster brushed

Base

45 cm

Dimensions

873x513 mm

Standard fittings

Fixing hooks, gasket, drain, overflow and siphon, boxed packing

Mixer holes

1 standard hole - 2nd hole on request

Built-in hole

840 x 480 mm

Drainer

Yes

Width 87 cm

Bowl dimension 362,5x400mm

Notes: Preassembled seals

Number of bowls 1 bowl

Waste fitting 3,5" drain

FEATURES

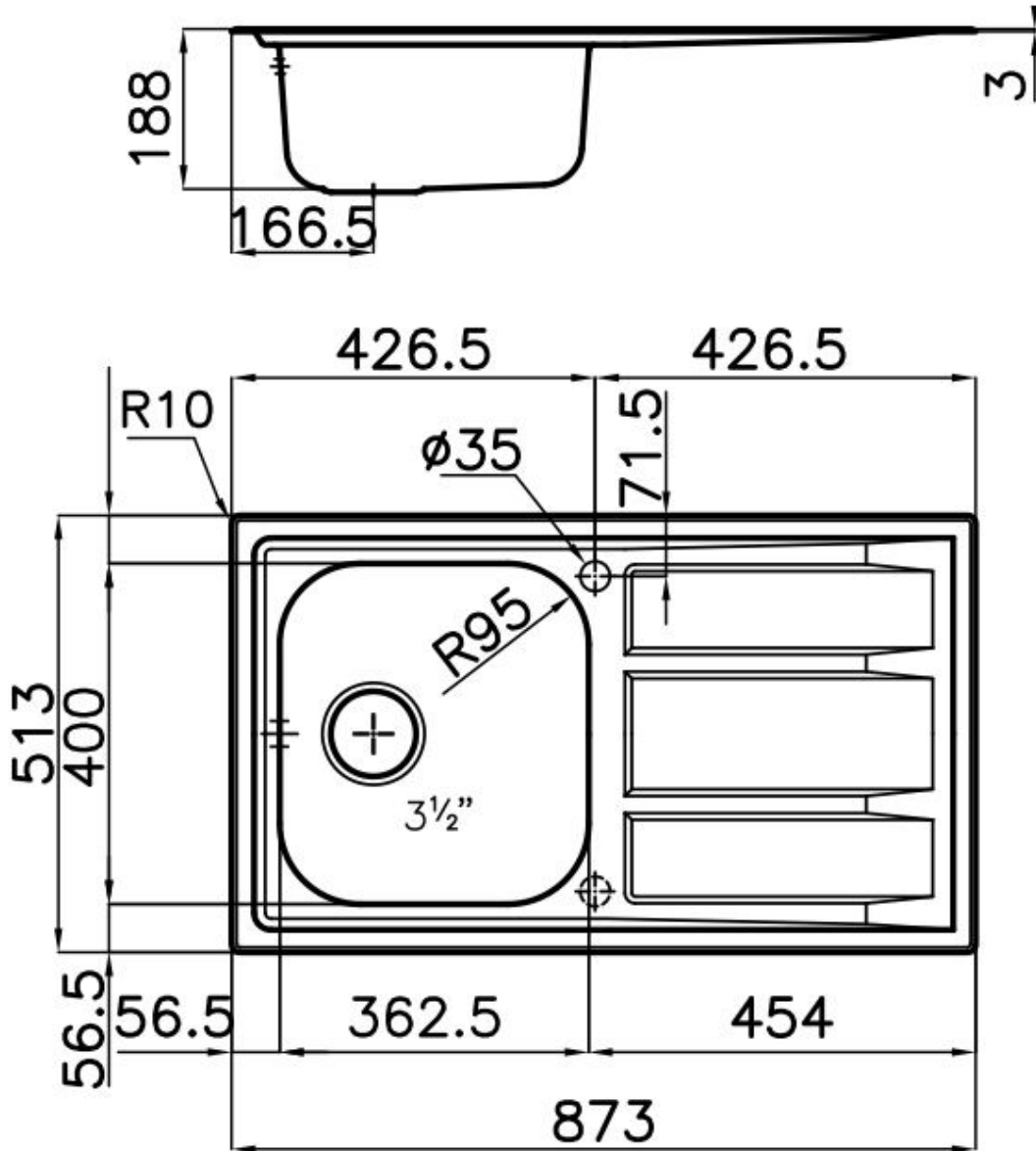
2nd / 3rd hole available The sink can be customized with the execution on request of additional holes, usable for double-hole mixers, for remote controlled drains or for the installation of soap dispensers. The positions are marked on the drawings with dotted line holes.

Basket 3,5" waste fitting The drain is equipped with a large 3.5" drain, with the practical basket cap that prevents the discharge of solid parts.

Marine stainless steel The Marine collection of sinks and hobs uses AISI 316 stainless steel, a superior quality material and widely used in the marine industry, which guarantees the best resistance to the corrosive effects of acids contained in food, salt and detergents.

Pre-installed gasket The pre-assembled gasket allows a comfortable and quick installation.

TECHNICAL DATA



GALLERY



OPTIONAL ACCESSORIES



Glass chopping board
8631 300



HPDE Chopping board
8657 001



Stainless steel basket
8611 000

OPTIONAL AUTOMATIC WASTE FITTINGS



Automatic waste fitting
8407 100



Automatic waste fitting
8407 000



LIRA automatic waste fitting
8407 102



LIRA automatic waste fitting
8407 103